



**Victoria Group Review**

**1.0 Intention**

- 1.1 This circular provides information to all members for the Victoria Group Review to be held on Sunday **26 August 2018**, as per the Group Calendar.

**2.0 General**

- 2.1 The Review will be held at **Westall Secondary College**, 88-128 Rosebank Ave, Clayton South VIC 3169 (Melway Ref. 79 G7).
- 2.2 Further advice regarding exact location (e.g. for squadron marquee setup) will be provided to units closer to the date.
- 2.3 All squadrons are invited to attend, compete and take part in the afternoon parade. The Review is a **compulsory event** on the Group Calendar for all units.
- 2.4 Every member of Victoria Group is requested to extend an invitation to parents and friends to attend the event, particularly the afternoon parade.
- 2.5 Units should note that a **minimum standard** of performance applies. Consequently, individuals or units who find that they are the sole entrant in a competition will be declared the winner only if they reach the minimum standard required.
- 2.6 Refer to the following documents for detailed information about available competitions:
- Field competitions are described in **Appendix A** of this circular, and
  - Education competitions are described in **VC/EC/01/18**.

**3.0 Timetable**

- 3.1
- |                 |   |
|-----------------|---|
| 0700 hrs        | Duty squad to report                          |
| <b>0815 hrs</b> | <b>All units to be present at the ground</b>  |
| 0820 hrs        | Judges briefing                               |
| 0825 hrs        | General officers briefing                     |
| 0830 hrs        | Flag raise and uniform inspections commence   |
| <b>0900 hrs</b> | <b>Field competitions commence</b>            |
| 1130 hrs        | Entries for "on the march" competitions close |
| 1230 hrs        | Lunch   |
| <b>1345 hrs</b> | <b>Afternoon parade forms up</b>              |
| 1400 hrs        | Parade marches on                             |
| 1500 hrs        | Approximate finishing time                    |
- 3.2 **Timetable is subject to change on the day.** It is the responsibility of squadron officers to ensure that their competing units are at the correct place at the correct time. Close attention **must** be made to all public address announcements.

#### **4.0 Uniform and Equipment**

- 4.1 Members are required to wear full Australian Air League uniform as laid down in Section 18 of the Australian Air League Manual, including during travel to and from the Review.
- 4.2 Medals and decorations must be worn for the afternoon parade. Ribbons only are to be worn during the day, up until the afternoon parade. Only medals and badges authorised by the Australian Air League, and for which the member has an authority card, are to be worn.
- 4.3 Name tags may be worn during the day, but are not to be worn during competitions and the afternoon parade.
- 4.4 AAL bomber jackets and navy blue uniform jumpers are not to be worn during competitions and the afternoon parade, but may be worn at all other times. Exceptions may be made weather-dependent.

#### **5.0 Afternoon Parade Procedure**

##### **5.1 *March On***

- 5.1.1 Units are to commence to assemble in column of route when directed at 1345 hrs. The order of parade will be advised to units on the day.
- 5.1.2 The parade will march onto the parade ground, pass the dais and complete a circuit of the ground. After completing one circuit, the parade will form up as directed. No General Salute will be given during the march on.
- 5.1.3 Once all units are in position, the Parade OC will give the order for all units to left turn into line and face the dais.
- 5.1.4 Victoria Group will then perform an **Advance in Review Order**. This is a new component of the afternoon parade and **all Squadron OCs and NCOs** are directed to ensure that their squadron can perform the manoeuvre, as described in Section 10 paragraph 36 of the Australian Air League Manual.

##### **5.2 *Presentations***

- 5.2.1 Members receiving presentations must salute the presenter, regardless of whether they are uniformed or not.

##### **5.3 *March Off***

- 5.3.1 The Parade OC will order the parade to turn right into column of route. The parade will then march and pass the dais.
- 5.3.2 Units will perform an **Eyes Right/General Salute** as they pass the dais. All officers salute (unless in a flag party) and all unit flags salute.
- 5.3.3 After passing the dais, the parade marches to the rear of the parade ground. Whilst the Group Flag Party is being marched off, all squadron and wing flags will General Salute as the Group Flag Party passes their immediate front.
- 5.3.4 At the completion of the above, Squadron and Wing OCs will be called to report to the Parade OC for debriefing. When all OCs are dismissed they will return to, and immediately dismiss, their units.

#### **6.0 Applications**

- 6.1 Entries for "on the march" competitions must be lodged by **1130 hrs on the day** of the Review, using the entry form in **Appendix C** of this circular.
- 6.2 Entries for all other field competitions must be submitted to the Group Field Officer by 1400 hrs on Saturday **11 August 2018**, using the entry form in **Appendix B** of this circular.
- 6.3 Entries for education competitions must be completed as directed by **VC/EC/01/18**.
- 6.4 Squadron OCs are advised that all attending members are required to complete a Form 17a.

**7.0 Miscellaneous**

- 7.1 Squadron OCs are reminded of their duty of care responsibilities and should ensure that the members of their squadron are fit and well throughout the day. Members who are feeling ill should not be allowed to take part in competitions or the afternoon parade.
- 7.2 As per Section 1 paragraph 5 of Australian Air League Manual, the Review is a **non-smoking event**. No person attending will be permitted to smoke whilst on competition and parade grounds.
- 7.3 A canteen should be available on the day for members to purchase food and drink.
- 7.3.1 **Applications to conduct the canteen** should be directed to the Group Field Officer no later than 1400 hrs on Saturday 4 August 2018.

**8.0 Enquiries**

- 8.1 All enquiries should be directed to the Group Field Officer via email ([field.vic@airleague.com.au](mailto:field.vic@airleague.com.au)) or phone (0418 349 928).



Wg. Capt. Hanson Wong MSA  
Group Field Officer  
Victoria Group

## **Appendix A – Field Competitions**

### **A.1 General Conditions**

- A.1.1 All members competing in field competitions must be current financial members of the Australian Air League. Members must carry current membership cards.
- A.1.2 Other than those involved in the competing unit, no officers, NCOs, or attendees will be allowed onto the competition area during the day except with prior consent of competition staff or in an emergency. Failure to adhere to this condition may result in disqualification.
- A.1.3 Only competition staff may communicate with judges. Failure to adhere to this condition may result in disqualification.
- A.1.4 Any protests must be lodged **in writing** with the Review Marshal within 30 minutes of the completion of the concerned unit's competition. The decision of the Review Marshal shall be final.

### **A.2 Age Limits**

- A.2.1 Members competing in Junior Section Drill must be **under the age of 12** as at 26 August 2018.
- A.2.2 Members competing as NCOs or cadets must be **under the age of 18** as at 26 August 2018.
- A.2.3 Members 18 and over and **under the age of 19** as at 26 August 2018 may compete provided they are carrying the rank of Warrant Officer only and wearing cadet uniform with Warrant Officer epaulettes.
- A.2.4 Members 19 years or older as at 26 August 2018 cannot compete, with the exception of officers who may compete in the Unit Drill competition.

### **A.3 Section Drill Competitions**

- A.3.1 Sections must have a total of six members (including the NCO in charge) to be deemed competitive.
- A.3.2 The highest permissible rank for the **NCO in charge** is Corporal.
- A.3.3 The highest permissible rank **within a section** is Leading Cadet. No member of the section may outrank the NCO in charge.
- A.3.4 If a Leading Cadet is present in the section, they must also be the marker. There is no limit to the number of Leading Cadets that may be present in the section.
- A.3.5 The diagram to be performed is **Diagram 8**, as described in Section 12 paragraph 41 of the Australian Air League Manual.

### **A.4 Flight Drill Competitions**

- A.4.1 Flights must have between 13 and 19 members (including the NCO in charge) to be deemed competitive. One point will be deducted for each member short of the full complement of 19.
- A.4.2 The highest permissible rank for the **NCO in charge** is Sergeant, except where there is a Squadron Sergeant in the squadron but no Sergeants in attendance.
- A.4.3 The highest permissible rank for **markers** is Corporal. No marker may outrank the NCO in charge.
- A.4.4 The highest permissible rank for the **remainder of the flight** is Leading Cadet. None of these members may outrank the markers or the NCO in charge. There is no limit to the number of Leading Cadets that may be present in the flight.
- A.4.5 The diagram to be performed is **Diagram 8**, as described in Section 14 paragraph 18 of the Australian Air League Manual.

**A.5 Flag Party Drill Competitions**

- A.5.1 Flag parties must have the full complement of three flags, three escorts, and one NCO in charge to be deemed competitive.
- A.5.2 The highest permissible rank for the **NCO in charge** is Sergeant, except where there is a Squadron Sergeant in the squadron but no Sergeants in attendance.
- A.5.3 The highest permissible rank for **bearers** is Corporal. No bearer may outrank the NCO in charge.
- A.5.4 The highest permissible rank for **escorts** is Leading Cadet. No escort may outrank the bearers or the NCO in charge.
- A.5.5 The diagram to be performed is **Diagram 8**, as described in Section 13 paragraph 13 of the Australian Air League Manual.

**A.6 "On the March" Competitions**

- A.6.1 For "best flight on the march", the flight must consist of one NCO in charge and at least twelve cadets.
- A.6.2 For "best flag party on the march", the flag party must consist of three bearers, three escorts and one NCO in charge.
- A.6.3 For "best squadron on the march", the squadron must consist of at least two officers, one flag party (three flags) and at least one flight (one NCO in charge and at least twelve cadets).
- A.6.4 For "best wing on the march", the wing must consist of members from at least two squadrons with at least thirty members.
- A.6.5 Armbands will be issued when the entry form in **Appendix C** is lodged. Squadron and Wing OCs are to wear these armbands on their left arm.

**A.7 Unit Drill Competitions****A.7.1 Conditions**

- A.7.1.1 The Squadron/Wing OC may take the position of Unit OC themselves, or may appoint another officer.
- A.7.1.2 A unit must consist of **at least 15 members to be deemed competitive**. One of these members will bear the unit flag and two members will be escorts for the flag. The remainder of the members are arranged as a flight with one NCO in charge. See Figure 1 on the next page.
- A.7.1.3 One point will be awarded for each member above the minimum of 15. Hence, units are expected to participate in the best possible spirit and enter as many members as possible into the competition.
- A.7.1.4 For units competing on behalf of a squadron, the bearer and escorts must be cadets.
- A.7.1.5 For units competing on behalf of a wing, the bearers and escorts must be officers.

**A.7.2 Procedure**

- A.7.2.1 There is no formal fall-in procedure to be assessed for a unit. The Unit OC may conduct a fall-in and manoeuvre to the competition area in any way they see fit.
- A.7.2.2 The Unit OC will report to the field judge, and on the judge's instruction, take up the position of Unit OC and give the necessary commands for the following diagram (see Figure 2 on the next page):

Point A	Carry Flag, Quick March
Point B	Right Wheel
Point C	Eyes Right/General Salute
Point D	Eyes Front/Carry Flag
Point E	Right Wheel
Point F	Right Wheel
Point G	Halt, Order Flag

- A.7.2.3 The Unit OC will again report to the field judge and then march off the competition area.

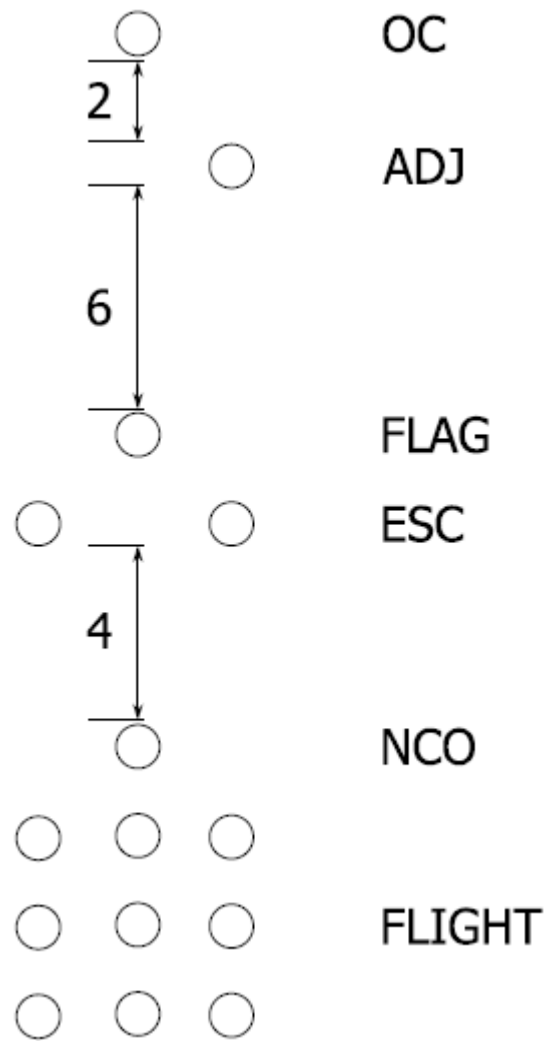


Figure 1. Correct composition for a minimally competitive unit. Single pace dressing unless otherwise noted.

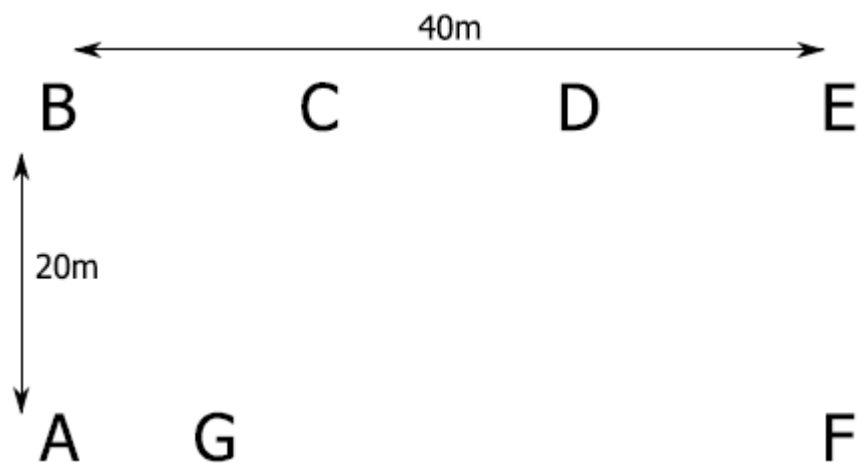


Figure 2. Positioning of markers for the Unit Drill competition diagram.

**Appendix B – Field Competitions Entry Form**



**2018 Victoria Group Review  
Field Competitions Entry Form**

Return to the Group Field Officer no later than 1400 hrs Saturday 11 August 2018.

**Squadron:** \_\_\_\_\_ **Wing:** \_\_\_\_\_

Please tick yes or no for each competition.

	<b>YES</b>	<b>NO</b>
<b>Junior Section Drill</b>	<input type="checkbox"/>	<input type="checkbox"/>
<b>Section Drill</b>	<input type="checkbox"/>	<input type="checkbox"/>
<b>Flight Drill</b>	<input type="checkbox"/>	<input type="checkbox"/>
<b>Flag Party Drill</b>	<input type="checkbox"/>	<input type="checkbox"/>
<b>Unit Drill</b>	<input type="checkbox"/>	<input type="checkbox"/>

Squadron / Wing OC: \_\_\_\_\_  
NAME

\_\_\_\_\_  
SIGNATURE

Date: \_\_\_\_ / \_\_\_\_ / \_\_\_\_\_

**Appendix C – Afternoon Parade Statement**



**2018 Victoria Group Review  
Afternoon Parade Statement**

Must be lodged no later than 1130 hrs on the day of the Review.

**Squadron:** \_\_\_\_\_ **Wing:** \_\_\_\_\_

**NUMBER ON PARADE**

**Cadets**

**Officers**

**TOTAL**

Please tick yes or no for each "on the march" competition.

**YES**

**NO**

**Best Flight**



**Best Flag Party**



**Best Squadron / Wing**



Squadron / Wing OC: \_\_\_\_\_  
NAME

\_\_\_\_\_  
SIGNATURE

Date: \_\_\_\_ / \_\_\_\_ / \_\_\_\_